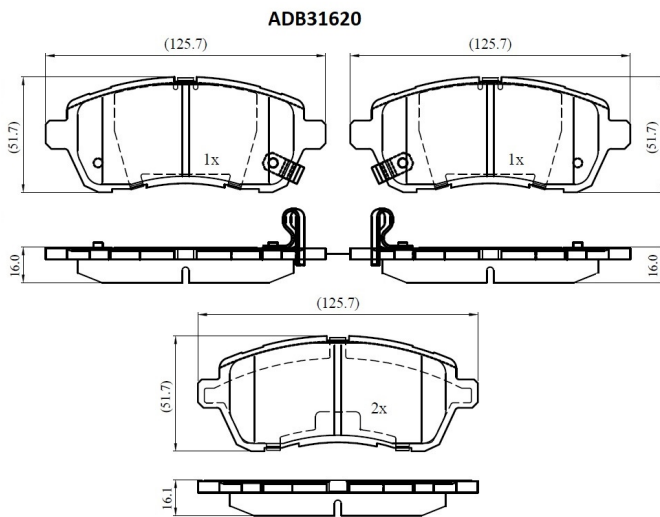


**Make: DAIHATSU**

**Model: Sirion**

**Part Number: ADB31620**

**Vehicle Manufacturing/Engine:**



### Specifications

<b>Fitting Position</b>	:	Front
<b>Model Date</b>	:	02/08-->
<b>Or. Caliper</b>	:	

<b>WVA</b>	:	24,28,32,42,84,24,285
<b>FMSI</b>	:	
<b>Length</b>	:	125.7
<b>Width</b>	:	51.7
<b>Thickness</b>	:	16.8