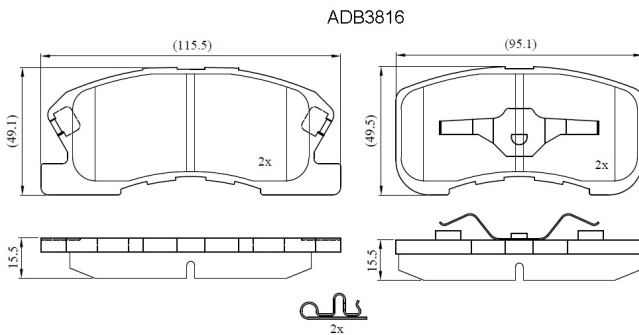


Make: DAIHATSU

Model: Sirion, Sirion+

Part Number: ADB3816

Vehicle Manufacturing/Engine:



Specifications

Fitting Position	:	Front
Model Date	:	06/98->
Or. Caliper	:	Akebono
WVA	:	23497
FMSI	:	
Length	:	115.5

Width	:	49.1
Thickness	:	15.5