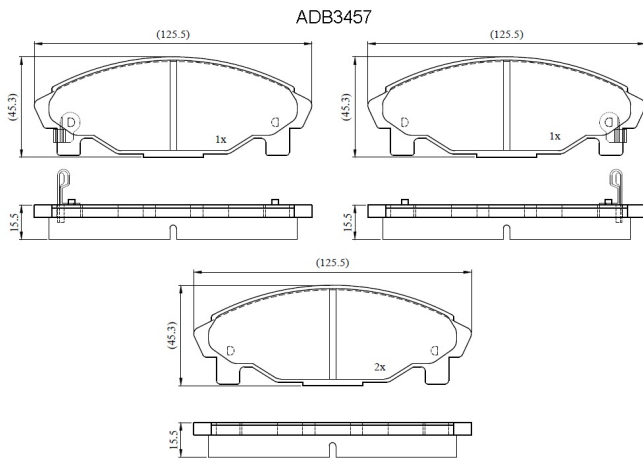


Make: DAIHATSU

Model: Valero

Part Number: ADB3457

Vehicle Manufacturing/Engine:



Specifications

Fitting Position	:	Front
Model Date	:	03/93->
Or. Caliper	:	Akebono
WVA	:	21952

FMSI	:	
Length	:	125.5
Width	:	45.3
Thickness	:	15.5