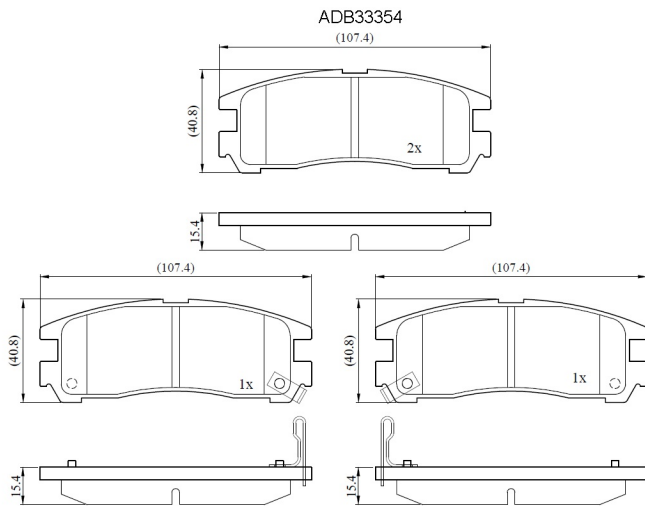


**Make: DODGE**

**Model: AVENGER**

**Part Number: ADB33354**

**Vehicle Manufacturing/Engine:**



### Specifications

<b>Fitting Position</b>	:	Rear
<b>Model Date</b>	:	95-00
<b>Or. Caliper</b>	:	

<b>WVA</b>	:	
<b>FMSI</b>	:	7272-D383
<b>Length</b>	:	107.4
<b>Width</b>	:	40.8
<b>Thickness</b>	:	15.4