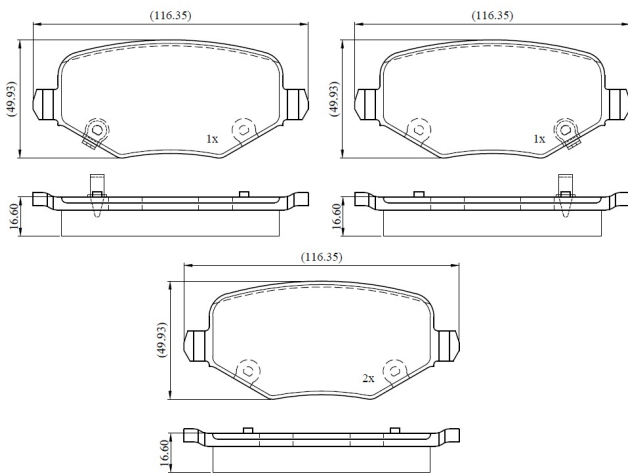


**Make: DODGE**

**Model: Caravan**

**Part Number: ADB32613**

**Vehicle Manufacturing/Engine:**



### Specifications

<b>Fitting Position</b>	:	Rear
<b>Model Date</b>	:	14-
<b>Or. Caliper</b>	:	

<b>WVA</b>	:	
<b>FMSI</b>	:	D1719
<b>Length</b>	:	116.35
<b>Width</b>	:	49.9
<b>Thickness</b>	:	16.6