

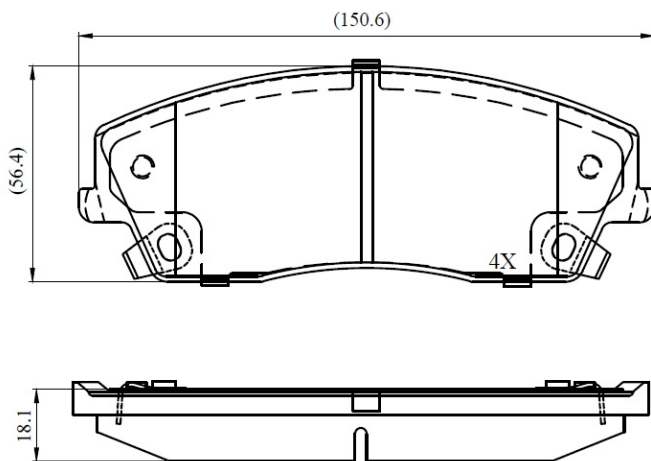
Make: DODGE

Model: CHALLENGER Coupe

Part Number: ADB36085

Vehicle Manufacturing/Engine:

ADB36085



Specifications

Fitting Position	:	Front
Model Date	:	2010-
Or. Caliper	:	

WVA	:	24166
FMSI	:	
Length	:	150.4
Width	:	56.8
Thickness	:	19