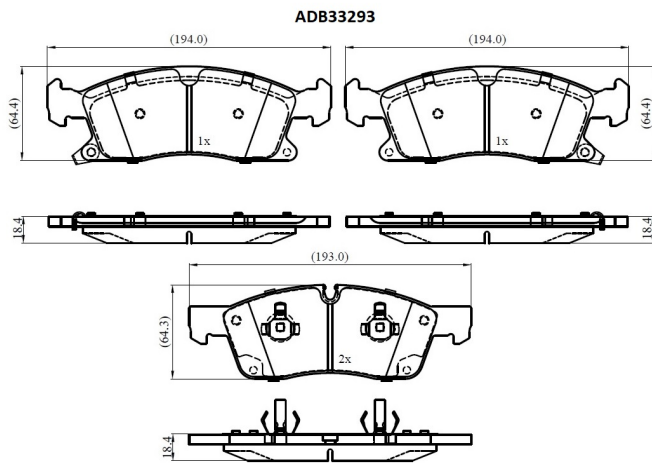


**Make: DODGE**

**Model: Durango**

**Part Number: ADB33293**

**Vehicle Manufacturing/Engine:**



### Specifications

<b>Fitting Position</b>	:	Front
<b>Model Date</b>	:	2011-
<b>Or. Caliper</b>	:	
<b>WVA</b>	:	25190

<b>FMSI</b>	:	
<b>Length</b>	:	193.0/194.0
<b>Width</b>	:	64.3/64.4
<b>Thickness</b>	:	18.4