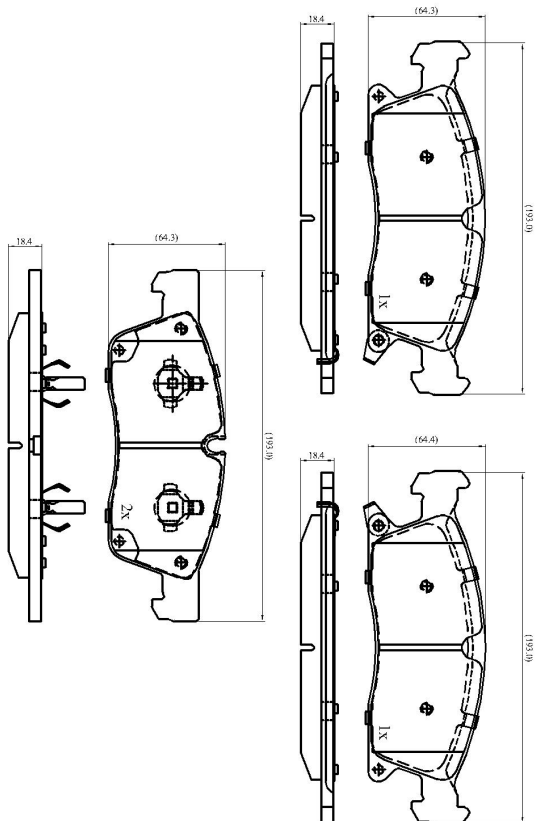


Make: DODGE

Model: Durango

Part Number: ADB36096

Vehicle Manufacturing/Engine:



ADB36096

Specifications

Fitting Position

:

Front

Model Date	:	2011-
Or. Caliper	:	
WVA	:	25,19,02,51,91,25,192
FMSI	:	
Length	:	193.1,194.3
Width	:	63.9,64
Thickness	:	19