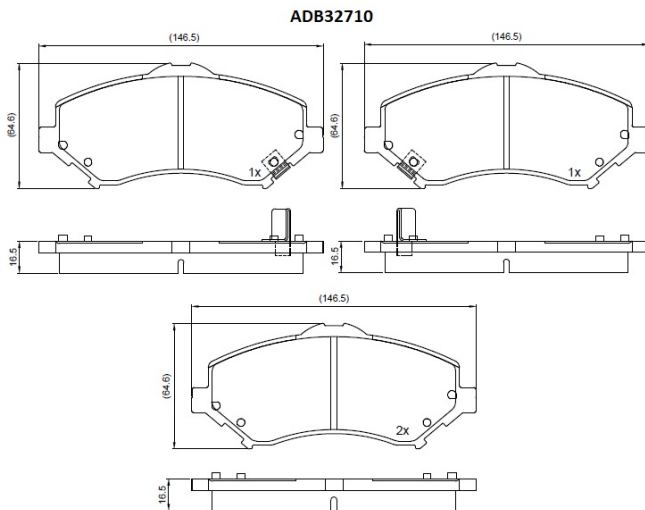


**Make: DODGE**

**Model: TRUCK Caravan**

**Part Number: ADB32710**

**Vehicle Manufacturing/Engine:**



### Specifications

<b>Fitting Position</b>	:	Front
<b>Model Date</b>	:	08-Oct
<b>Or. Caliper</b>	:	

<b>WVA</b>	:	
<b>FMSI</b>	:	8389-D1273
<b>Length</b>	:	146.5
<b>Width</b>	:	64.6
<b>Thickness</b>	:	18.3