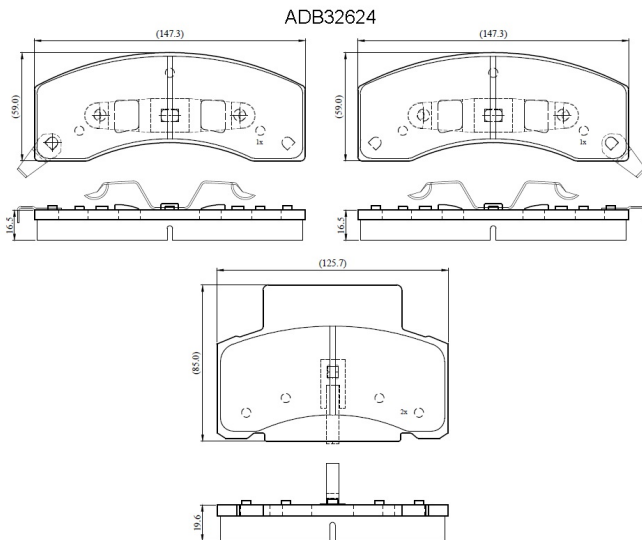


**Make: DODGE**

**Model: TRUCK**

**Part Number: ADB32624**

**Vehicle Manufacturing/Engine:**



### Specifications

<b>Fitting Position</b>	:	Front
<b>Model Date</b>	:	94-99
<b>Or. Caliper</b>	:	

<b>WVA</b>	:	
<b>FMSI</b>	:	D459
<b>Length</b>	:	147.3/125.7
<b>Width</b>	:	59.0/85.0
<b>Thickness</b>	:	16.5/19.6