

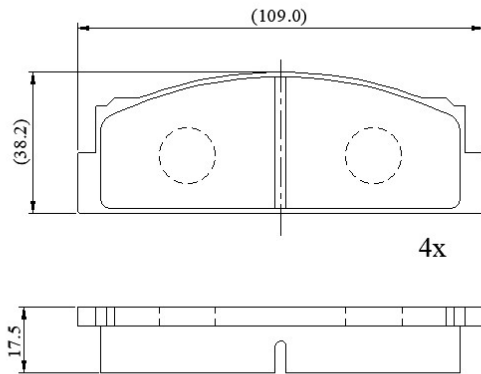
Make: FIAT

Model: 124, 125

Part Number: ADB0112

Vehicle Manufacturing/Engine:

ADB0112



Specifications

Fitting Position	:	Front
Model Date	:	01/67-01/76
Or. Caliper	:	Bendix

WVA	:	20073
FMSI	:	
Length	:	108.75
Width	:	38
Thickness	:	17.5