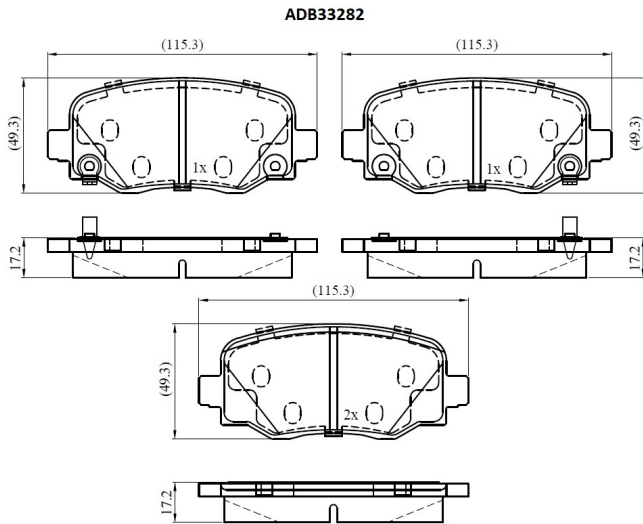


Make: FIAT

Model: 500X

Part Number: ADB33282

Vehicle Manufacturing/Engine:



Specifications

| | | |
|-------------------------|---|-----------|
| Fitting Position | : | Rear |
| Model Date | : | 2017-2018 |
| Or. Caliper | : | |

| | | |
|------------------|---|-------|
| WVA | : | 22304 |
| FMSI | : | |
| Length | : | 115.3 |
| Width | : | 49.3 |
| Thickness | : | 17.2 |