

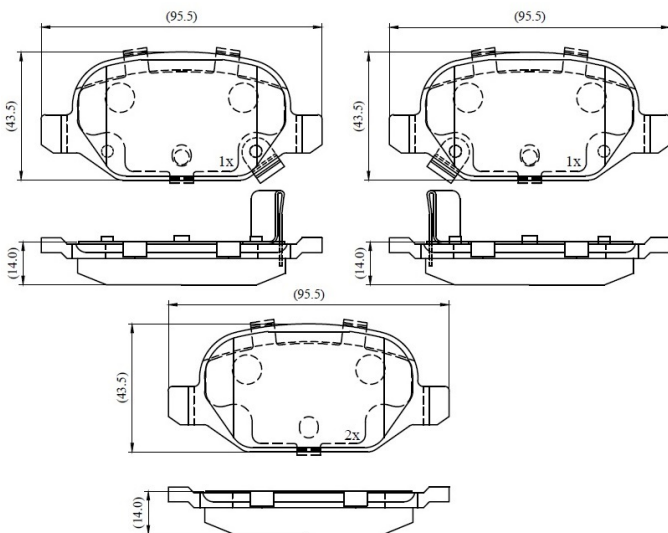
Make: FIAT

Model: Panda

Part Number: ADB31559

Vehicle Manufacturing/Engine:

ADB31559



Specifications

| | | |
|-------------------------|---|--------|
| Fitting Position | : | Rear |
| Model Date | : | 09/12- |

| | | |
|--------------------|---|--------------------|
| Or. Caliper | : | TRW |
| WVA | : | 25410, 25411,25412 |
| FMSI | : | |
| Length | : | 95.8 |
| Width | : | 43.5 |
| Thickness | : | 14.5 |