

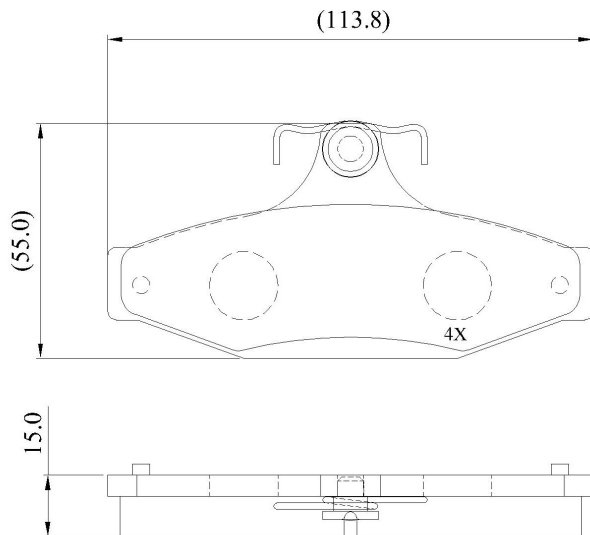
**Make: FORD**

**Model: AU, AUII, Fairlane, Ghia Sedan Ltd**

**Part Number: ADB01503**

**Vehicle Manufacturing/Engine:**

ADB01503



### Specifications

**Fitting Position**

:

Front

<b>Model Date</b>	:	03/99->
<b>Or. Caliper</b>	:	
<b>WVA</b>	:	
<b>FMSI</b>	:	
<b>Length</b>	:	113.8
<b>Width</b>	:	55
<b>Thickness</b>	:	15