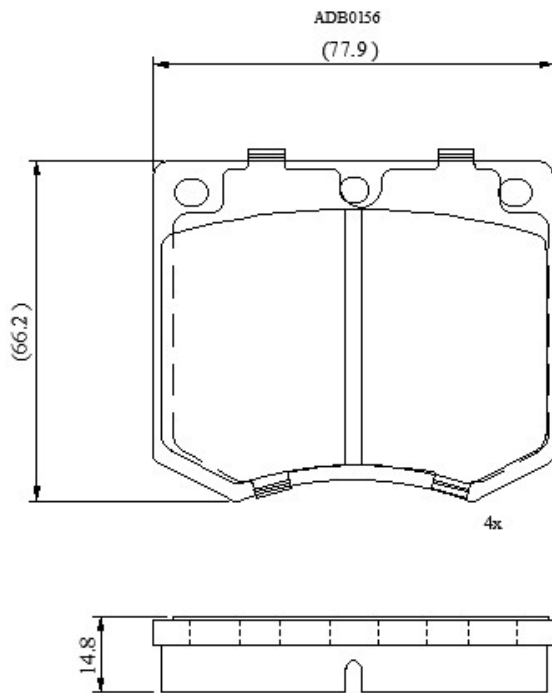


**Make: FORD**

**Model: Capri Mk II, III**

**Part Number: ADB0156**

**Vehicle Manufacturing/Engine:**



## Specifications

<b>Fitting Position</b>	:	Front
<b>Model Date</b>	:	01/70-01/84
<b>Or. Caliper</b>	:	Ate
<b>WVA</b>	:	20491
<b>FMSI</b>	:	
<b>Length</b>	:	77.9
<b>Width</b>	:	66.2
<b>Thickness</b>	:	15