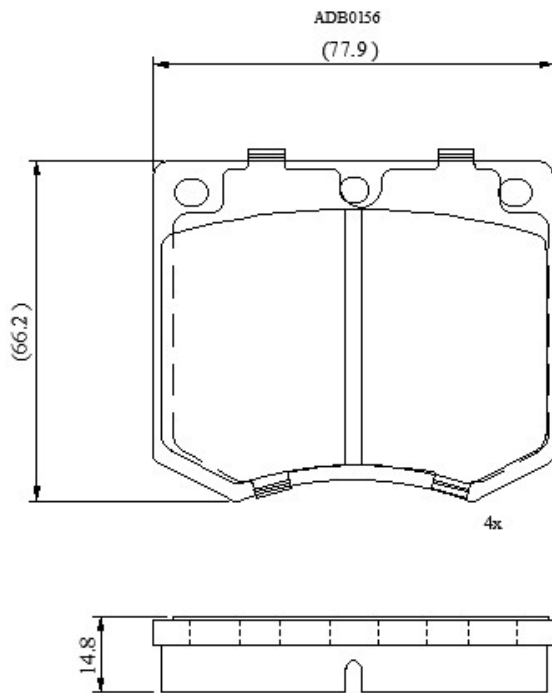


Make: FORD

Model: Escort MkII

Part Number: ADB0156

Vehicle Manufacturing/Engine:



Specifications

Fitting Position	:	Front
Model Date	:	01/75-01/80
Or. Caliper	:	Ate
WVA	:	20491
FMSI	:	
Length	:	77.9
Width	:	66.2
Thickness	:	15