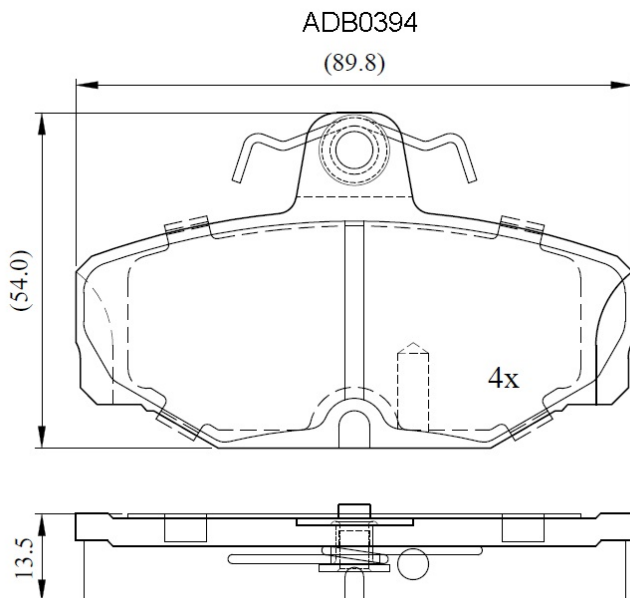


**Make: FORD**

**Model: Mantis**

**Part Number: ADB0394**

**Vehicle Manufacturing/Engine:**



### Specifications

**Fitting Position**

:

Rear

<b>Model Date</b>	:	01/97->
<b>Or. Caliper</b>	:	Lucas
<b>WVA</b>	:	20981
<b>FMSI</b>	:	
<b>Length</b>	:	89.8
<b>Width</b>	:	54
<b>Thickness</b>	:	13.5