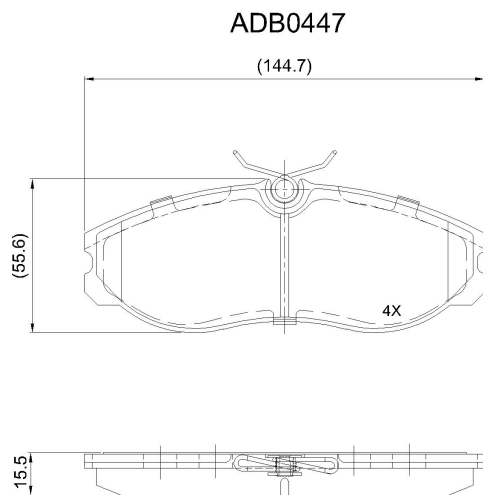


**Make: FORD**

**Model: Maverick Van**

**Part Number: ADB0447**

**Vehicle Manufacturing/Engine:**



### Specifications

<b>Fitting Position</b>	:	Front
<b>Model Date</b>	:	01/93->
<b>Or. Caliper</b>	:	Lucas

<b>WVA</b>	:	21481
<b>FMSI</b>	:	
<b>Length</b>	:	144.7
<b>Width</b>	:	55.6
<b>Thickness</b>	:	15.5