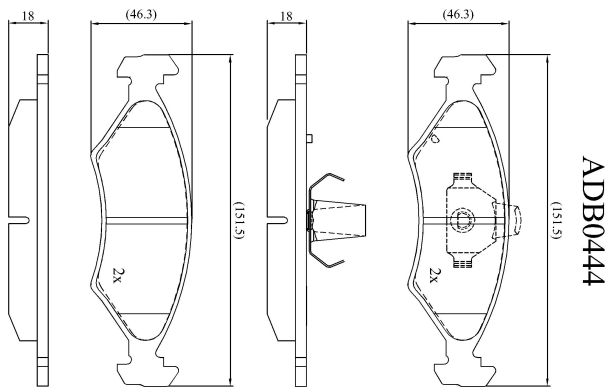


**Make: FORD**

**Model: Puma**

**Part Number: ADB0444**

**Vehicle Manufacturing/Engine:**



## Specifications

<b>Fitting Position</b>	:	Front
<b>Model Date</b>	:	02/98-03/00
<b>Or. Caliper</b>	:	Ate
<b>WVA</b>	:	2,31,03,23,104
<b>FMSI</b>	:	
<b>Length</b>	:	150.9
<b>Width</b>	:	46.2
<b>Thickness</b>	:	18