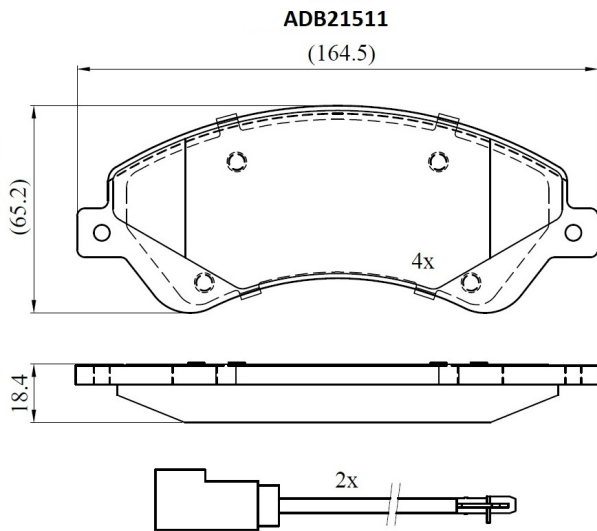


**Make: FORD**

**Model: TRANSIT Box**

**Part Number: ADB21511**

**Vehicle Manufacturing/Engine:**



### Specifications

|                         |   |         |
|-------------------------|---|---------|
| <b>Fitting Position</b> | : | Front   |
| <b>Model Date</b>       | : | 07/06-> |
| <b>Or. Caliper</b>      | : |         |

|                  |   |       |
|------------------|---|-------|
| <b>WVA</b>       | : | 24485 |
| <b>FMSI</b>      | : |       |
| <b>Length</b>    | : | 164.5 |
| <b>Width</b>     | : | 65.4  |
| <b>Thickness</b> | : | 18.4  |