

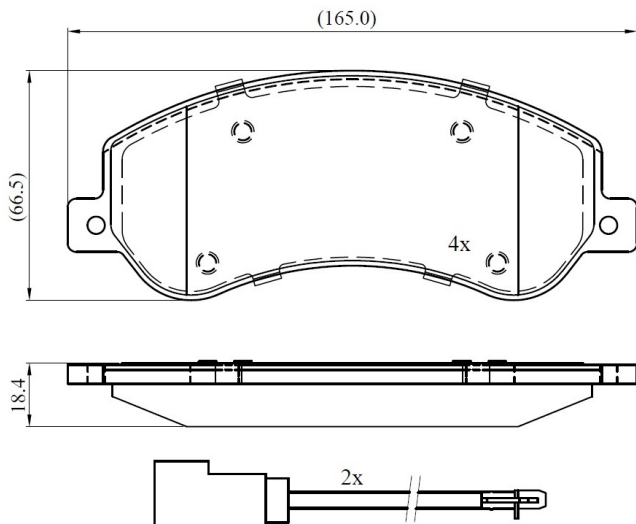
**Make: FORD**

**Model: TRANSIT Box**

**Part Number: ADB21512**

**Vehicle Manufacturing/Engine:**

**ADB21512**



### Specifications

<b>Fitting Position</b>	:	Front
<b>Model Date</b>	:	07/06->

<b>Or. Caliper</b>	:	
<b>WVA</b>	:	24484
<b>FMSI</b>	:	
<b>Length</b>	:	164.5
<b>Width</b>	:	65.4
<b>Thickness</b>	:	18.4