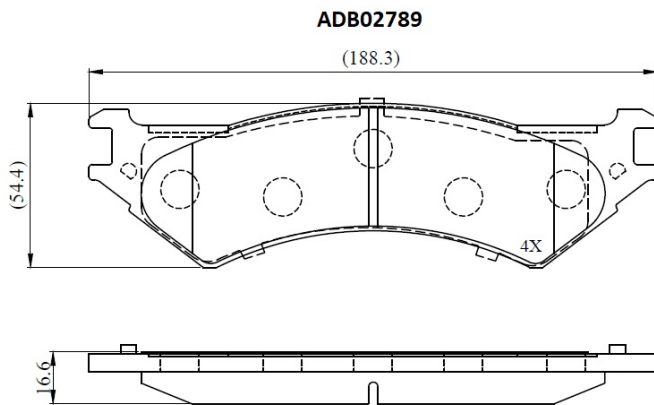


**Make: FORD**

**Model: TRUCK E250**

**Part Number: ADB02789**

**Vehicle Manufacturing/Engine:**



### Specifications

<b>Fitting Position</b>	:	Rear
<b>Model Date</b>	:	99-07
<b>Or. Caliper</b>	:	
<b>WVA</b>	:	

<b>FMSI</b>	:	7673-D802
<b>Length</b>	:	188.3
<b>Width</b>	:	54.4
<b>Thickness</b>	:	16.6