

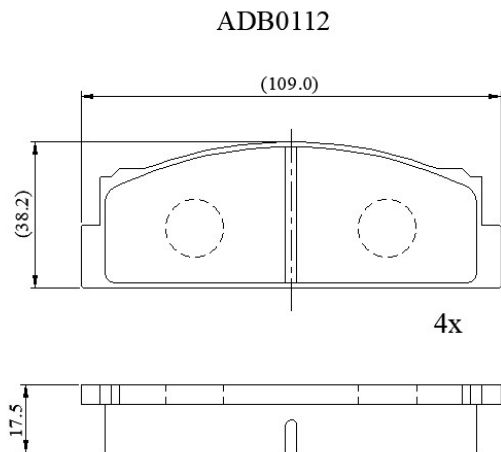


**Make: FSO**

**Model: Cargo Pick - Up, Tipper**

**Part Number: ADB0112**

**Vehicle Manufacturing/Engine:**



#### Specifications

**Fitting Position** : Front  
**Model Date** : 09/98->  
**Or. Caliper** : Bendix  
**WVA** : 20073  
**FMSI** :  
**Length** : 108.75  
**Width** : 38  
**Thickness** : 17.5