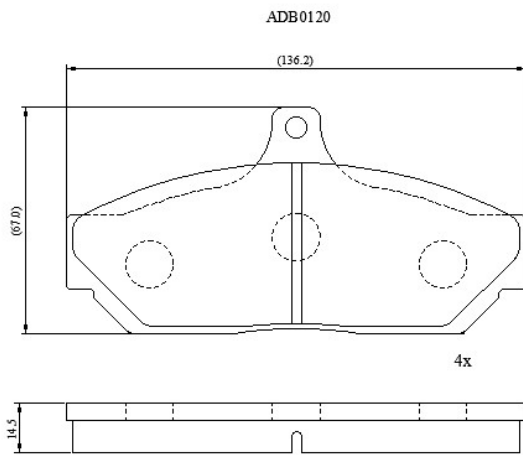


Make: GHM/HOLDEN

Model: Holden Range

Part Number: ADB0120

Vehicle Manufacturing/Engine:



Specifications

Fitting Position	:	Front
Model Date	:	11/80-02/85

Or. Caliper	:	
WVA	:	
FMSI	:	
Length	:	136
Width	:	67
Thickness	:	14.5