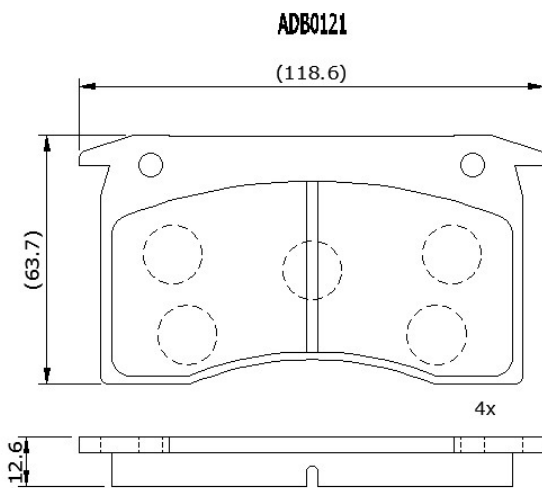


**Make: GHM/HOLDEN**

**Model: Scurry Range**

**Part Number: ADB0121**

**Vehicle Manufacturing/Engine:**



### Specifications

<b>Fitting Position</b>	:	Front
<b>Model Date</b>	:	11/88-02/89

<b>Or. Caliper</b>	:	
<b>WVA</b>	:	
<b>FMSI</b>	:	
<b>Length</b>	:	118.4
<b>Width</b>	:	63.5
<b>Thickness</b>	:	12.6