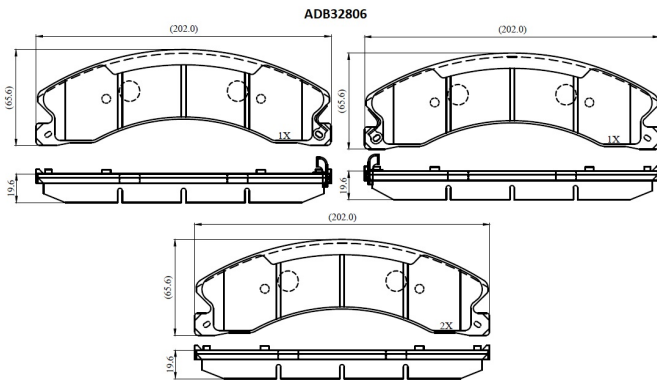


Make: GMC

Model: SIERRA 2500

Part Number: ADB32806

Vehicle Manufacturing/Engine:



Specifications

| | | |
|-------------------------|---|-------|
| Fitting Position | : | Front |
| Model Date | : | 13-15 |
| Or. Caliper | : | |
| WVA | : | |
| FMSI | : | D1565 |

| | | |
|------------------|---|------|
| Length | : | 202 |
| Width | : | 65.6 |
| Thickness | : | 17.6 |