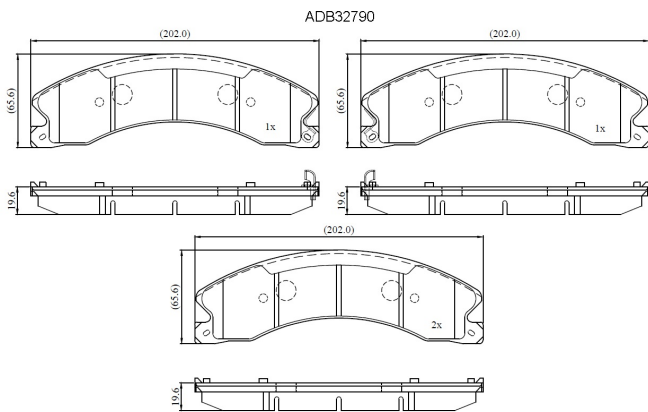


**Make: GMC**

**Model: Sierra**

**Part Number: ADB32790**

**Vehicle Manufacturing/Engine:**



### Specifications

<b>Fitting Position</b>	:	Front
<b>Model Date</b>	:	13-15
<b>Or. Caliper</b>	:	
<b>WVA</b>	:	
<b>FMSI</b>	:	D1565

<b>Length</b>	:	202
<b>Width</b>	:	65.6
<b>Thickness</b>	:	19.6