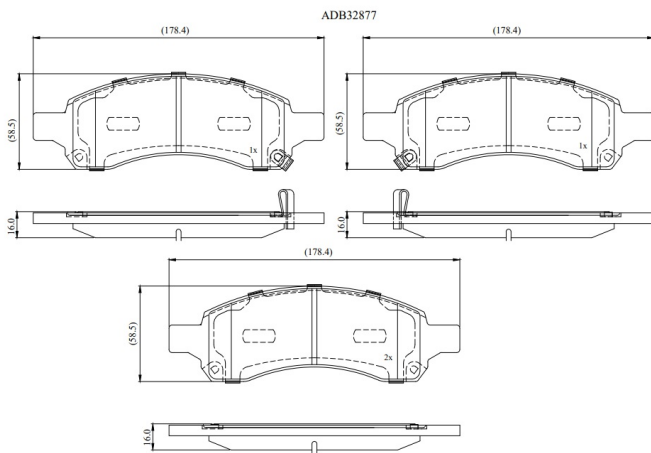


**Make: GMC**

**Model: TRUCK**

**Part Number: ADB32877**

**Vehicle Manufacturing/Engine:**



### Specifications

<b>Fitting Position</b>	:	Front
<b>Model Date</b>	:	07-Dec
<b>Or. Caliper</b>	:	
<b>WVA</b>	:	

<b>FMSI</b>	:	8410-D1169A
<b>Length</b>	:	178.4
<b>Width</b>	:	58.5
<b>Thickness</b>	:	16