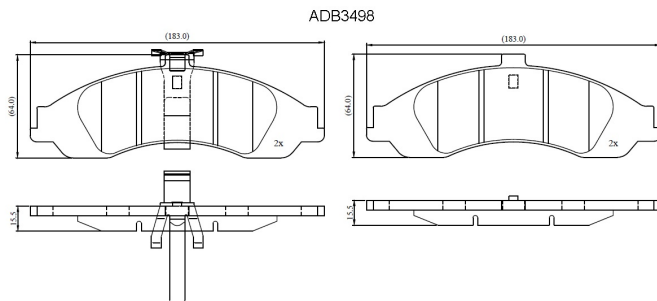


Make: HOLDEN

Model: Adventra

Part Number: ADB3498

Vehicle Manufacturing/Engine:



Specifications

Fitting Position	:	Front
Model Date	:	10/03->
Or. Caliper	:	
WVA	:	
FMSI	:	
Length	:	183

Width	:	64
Thickness	:	15.5