

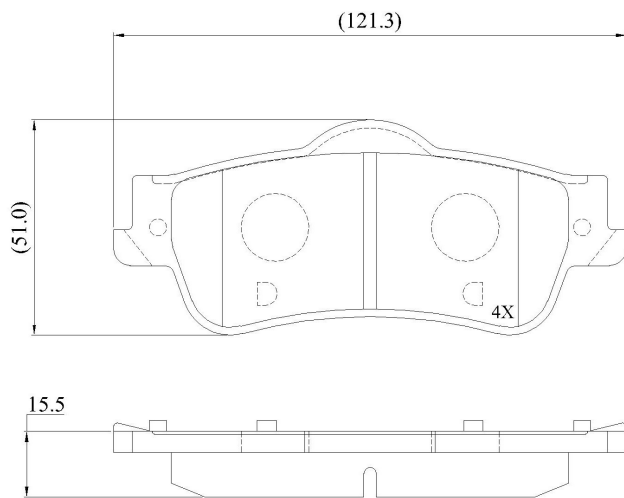
Make: HOLDEN

Model: Commodore VE

Part Number: ADB01570

Vehicle Manufacturing/Engine:

ADB01570



Specifications

Fitting Position	:	Rear
Model Date	:	08/02->

Or. Caliper	:	
WVA	:	
FMSI	:	
Length	:	121.3
Width	:	51
Thickness	:	15.5