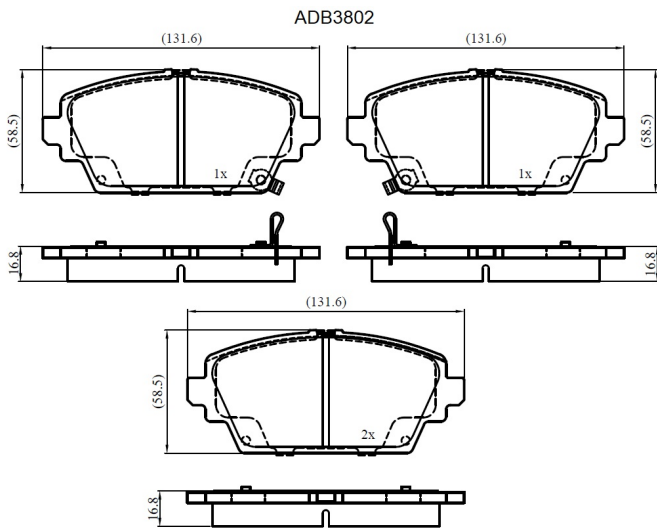


**Make: HONDA**

**Model: Accord (98->)**

**Part Number: ADB3802**

**Vehicle Manufacturing/Engine:**



### Specifications

<b>Fitting Position</b>	:	Front
<b>Model Date</b>	:	08/98->
<b>Or. Caliper</b>	:	Lucas

<b>WVA</b>	:	23094
<b>FMSI</b>	:	
<b>Length</b>	:	131.6
<b>Width</b>	:	58.5
<b>Thickness</b>	:	17