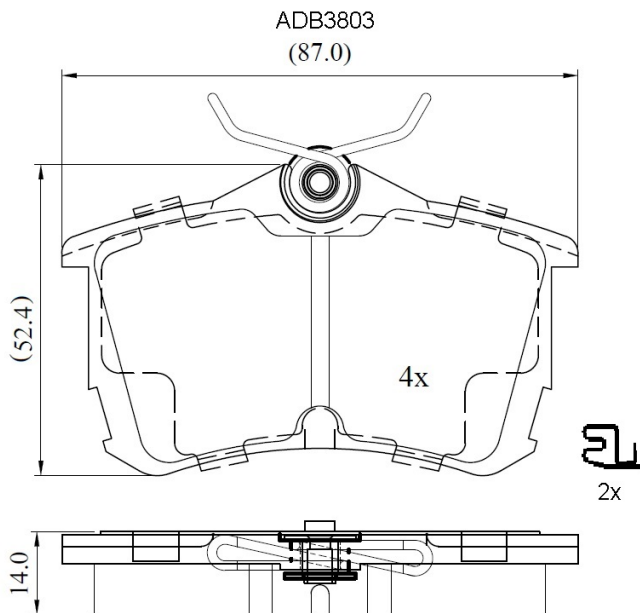


**Make: HONDA**

**Model: Accord (98->)**

**Part Number: ADB3803**

**Vehicle Manufacturing/Engine:**



## Specifications

**Fitting Position**

:

Rear

<b>Model Date</b>	:	08/98->
<b>Or. Caliper</b>	:	Lucas
<b>WVA</b>	:	23527
<b>FMSI</b>	:	
<b>Length</b>	:	87
<b>Width</b>	:	52.4
<b>Thickness</b>	:	14