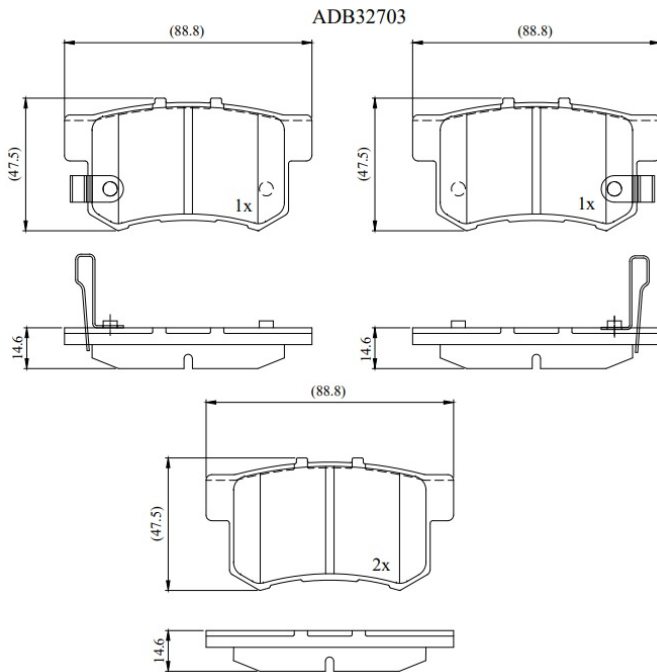


Make: HONDA

Model: Accord Hybrid

Part Number: ADB32703

Vehicle Manufacturing/Engine:



Specifications

Fitting Position

:

Rear

| | | |
|--------------------|---|--------|
| Model Date | : | 06-Jul |
| Or. Caliper | : | |
| WVA | : | |
| FMSI | : | D365 |
| Length | : | 88.8 |
| Width | : | 47.5 |
| Thickness | : | 14.6 |