

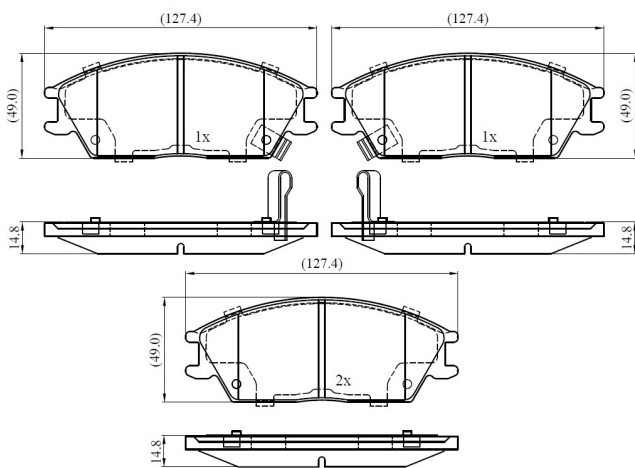
**Make: HONDA**

**Model: ACCORD II Hatchback**

**Part Number: ADB33223**

**Vehicle Manufacturing/Engine:**

ADB33223



### Specifications

<b>Fitting Position</b>	:	Front
<b>Model Date</b>	:	1983-1985
<b>Or. Caliper</b>	:	

<b>WVA</b>	:	21012
<b>FMSI</b>	:	
<b>Length</b>	:	127.4
<b>Width</b>	:	49
<b>Thickness</b>	:	14.8