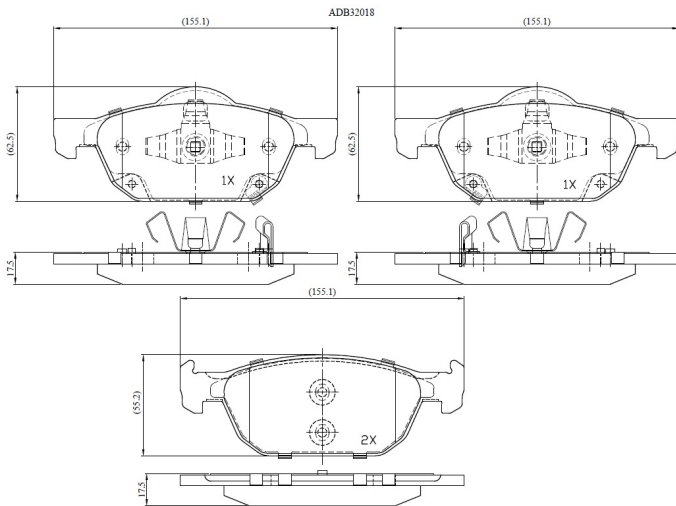


**Make: HONDA**

**Model: Accord IX**

**Part Number: ADB32018**

**Vehicle Manufacturing/Engine:**



## Specifications

<b>Fitting Position</b>	:	Front
<b>Model Date</b>	:	07/08-->
<b>Or. Caliper</b>	:	Ate

<b>WVA</b>	:	24,79,62,47,97,24,798
<b>FMSI</b>	:	
<b>Length</b>	:	155.1
<b>Width</b>	:	55.0/62.4
<b>Thickness</b>	:	17.5