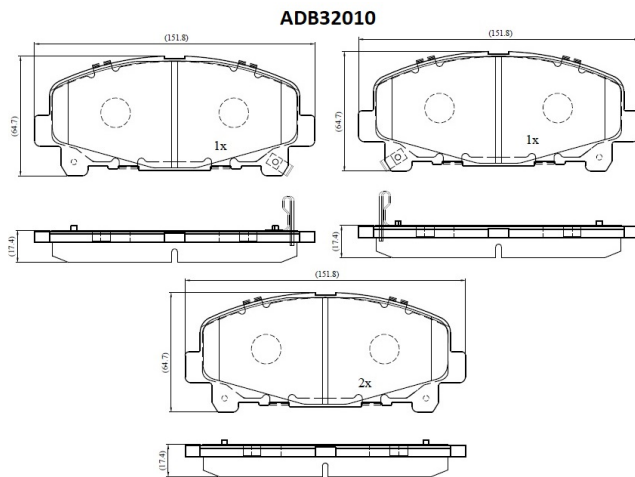


Make: HONDA

Model: Accord

Part Number: ADB32010

Vehicle Manufacturing/Engine:



Specifications

Fitting Position	:	Front
Model Date	:	06/08-->
Or. Caliper	:	Akebono
WVA	:	24,76,62,47,85,24,786

FMSI	:	
Length	:	151.8
Width	:	64.6
Thickness	:	17.4/17.8