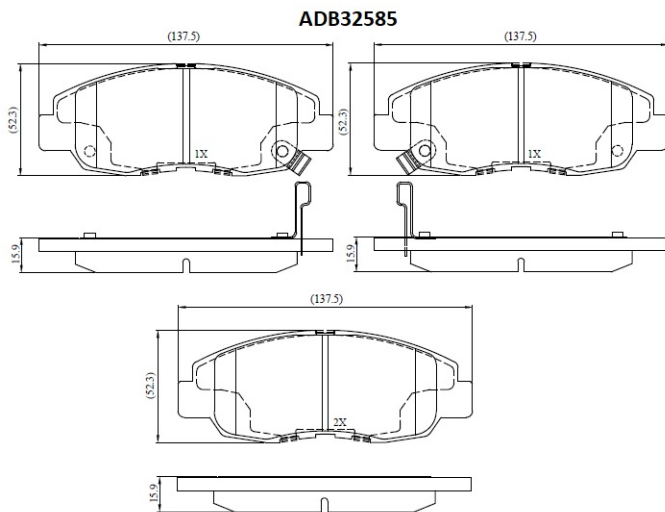


**Make: HONDA**

**Model: Accord**

**Part Number: ADB32585**

**Vehicle Manufacturing/Engine:**



### Specifications

<b>Fitting Position</b>	:	Front
<b>Model Date</b>	:	90-02
<b>Or. Caliper</b>	:	

<b>WVA</b>	:	
<b>FMSI</b>	:	D465
<b>Length</b>	:	137.5
<b>Width</b>	:	52.3
<b>Thickness</b>	:	15.9