

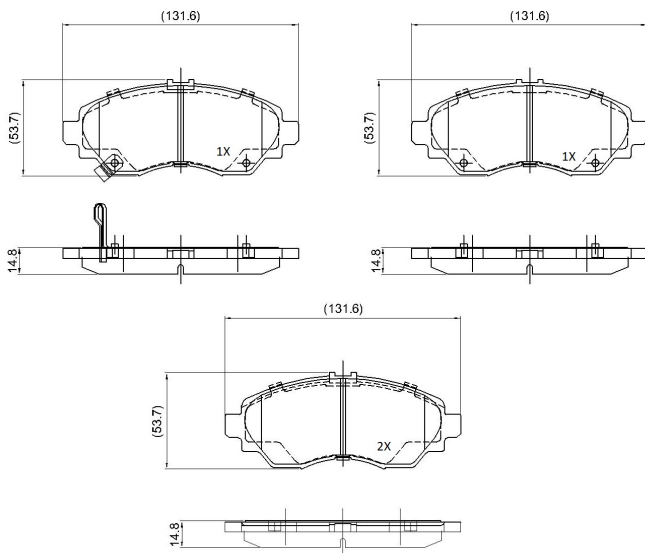
Make: HONDA

Model: Brio

Part Number: ADB32240

Vehicle Manufacturing/Engine:

ADB32240



Specifications

Fitting Position	:	Front
Model Date	:	00/13-

Or. Caliper	:	
WVA	:	
FMSI	:	
Length	:	131.6
Width	:	53.7
Thickness	:	14.8