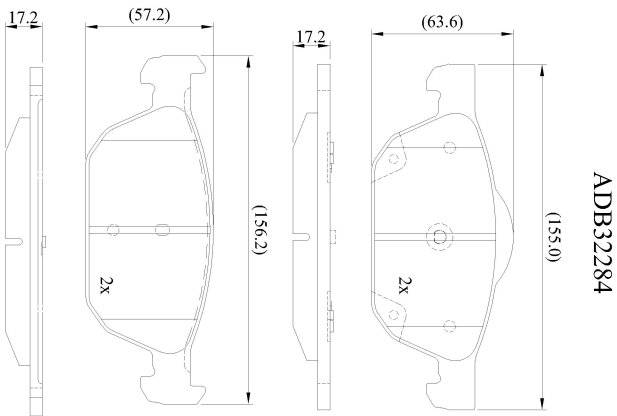


**Make: HONDA**

**Model: Civic IX**

**Part Number: ADB02284**

**Vehicle Manufacturing/Engine:**



## Specifications

<b>Fitting Position</b>	:	Front
<b>Model Date</b>	:	02/12->
<b>Or. Caliper</b>	:	
<b>WVA</b>	:	25804, 25805, 25806
<b>FMSI</b>	:	
<b>Length</b>	:	
<b>Width</b>	:	
<b>Thickness</b>	:	