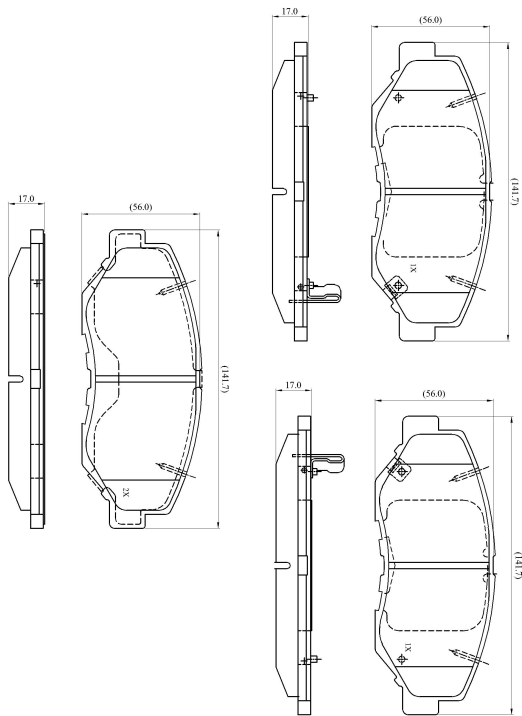


Make: HONDA

Model: CR-V,2.0 16V 4x4

Part Number: ADB31194

Vehicle Manufacturing/Engine:



ADB31194

Specifications

Fitting Position	:	Front
Model Date	:	01/02-->
Or. Caliper	:	Akebono
WVA	:	2,38,68,23,869
FMSI	:	
Length	:	141.6
Width	:	56.5
Thickness	:	17