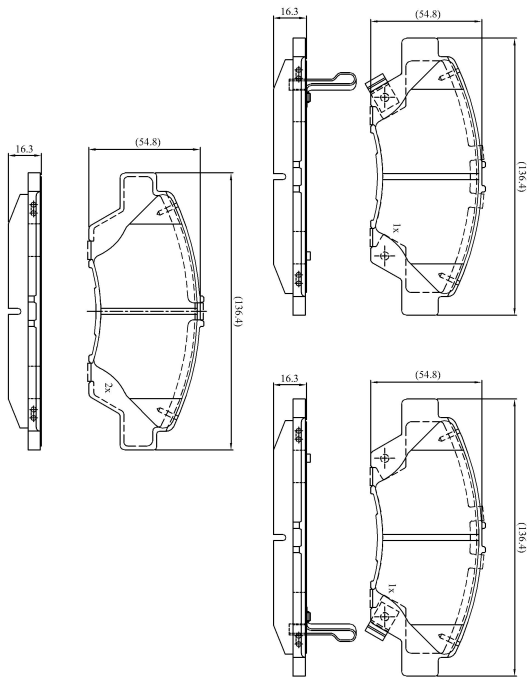


Make: HONDA

Model: Insight

Part Number: ADB32036

Vehicle Manufacturing/Engine:



ADD832036

Specifications

Fitting Position	:	Front
Model Date	:	04/09-
Or. Caliper	:	Akebono
WVA	:	24979, 24980,24981
FMSI	:	
Length	:	136.4
Width	:	56.5
Thickness	:	16.7/16.3