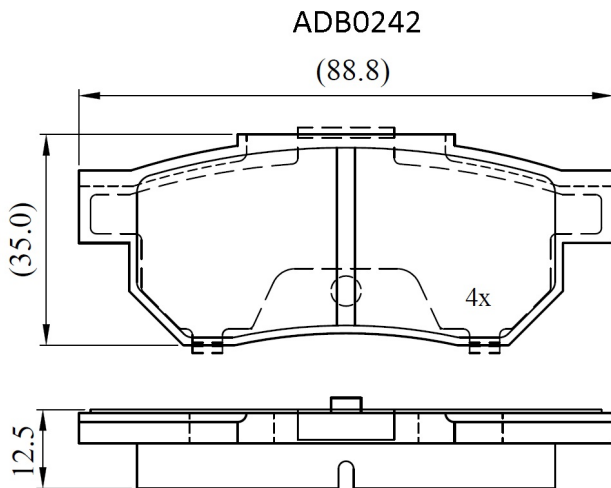


Make: HONDA

Model: Integra

Part Number: ADB0242

Vehicle Manufacturing/Engine:



Specifications

Fitting Position	:	Rear
Model Date	:	04/86-01/89
Or. Caliper	:	Akebono

WVA	:	21312
FMSI	:	
Length	:	88.7
Width	:	35
Thickness	:	12.5