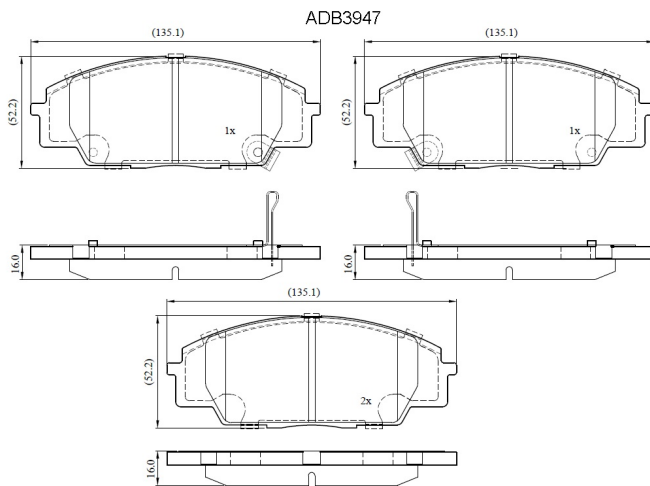


Make: HONDA

Model: S2000

Part Number: ADB3947

Vehicle Manufacturing/Engine:



Specifications

Fitting Position	:	Front
Model Date	:	09/99-->
Or. Caliper	:	

WVA	:	
FMSI	:	
Length	:	135.1
Width	:	52.2
Thickness	:	17