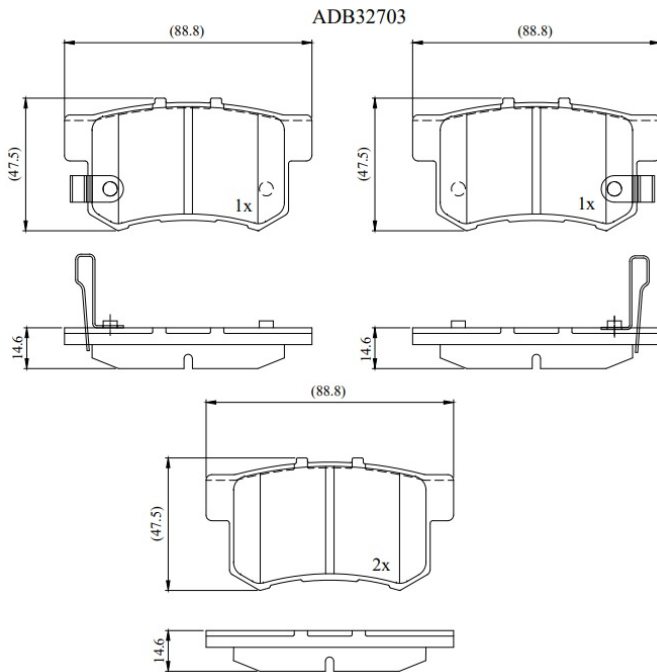


Make: HONDA

Model: S2000

Part Number: ADB32703

Vehicle Manufacturing/Engine:



Specifications

Fitting Position

:

Rear

Model Date	:	00-09
Or. Caliper	:	
WVA	:	
FMSI	:	D365
Length	:	88.8
Width	:	47.5
Thickness	:	14.6