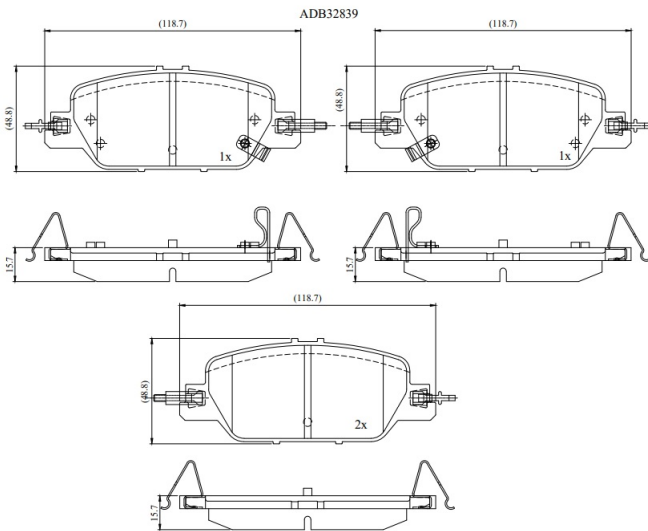


**Make: HONDA**

**Model: TRUCK CR?V**

**Part Number: ADB32839**

**Vehicle Manufacturing/Engine:**



## Specifications

<b>Fitting Position</b>	:	Rear
<b>Model Date</b>	:	2017-2020
<b>Or. Caliper</b>	:	

<b>WVA</b>	:	
<b>FMSI</b>	:	9268-D2037
<b>Length</b>	:	118.7
<b>Width</b>	:	48.8
<b>Thickness</b>	:	15.7