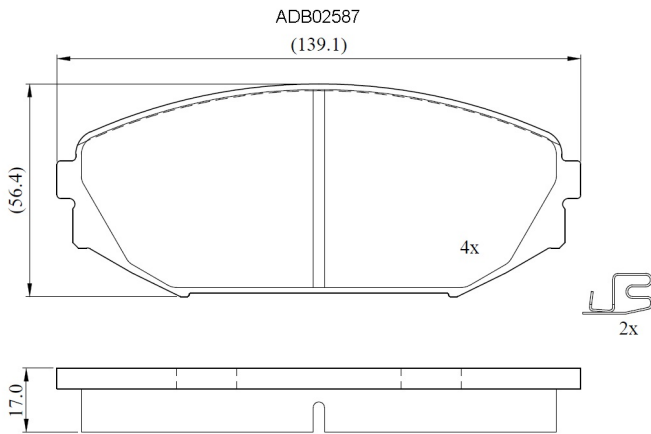


**Make: HONDA**

**Model: TRUCK**

**Part Number: ADB02587**

**Vehicle Manufacturing/Engine:**



### Specifications

<b>Fitting Position</b>	:	Front
<b>Model Date</b>	:	99-04
<b>Or. Caliper</b>	:	
<b>WVA</b>	:	

<b>FMSI</b>	:	D793
<b>Length</b>	:	139.1
<b>Width</b>	:	56.4
<b>Thickness</b>	:	17