

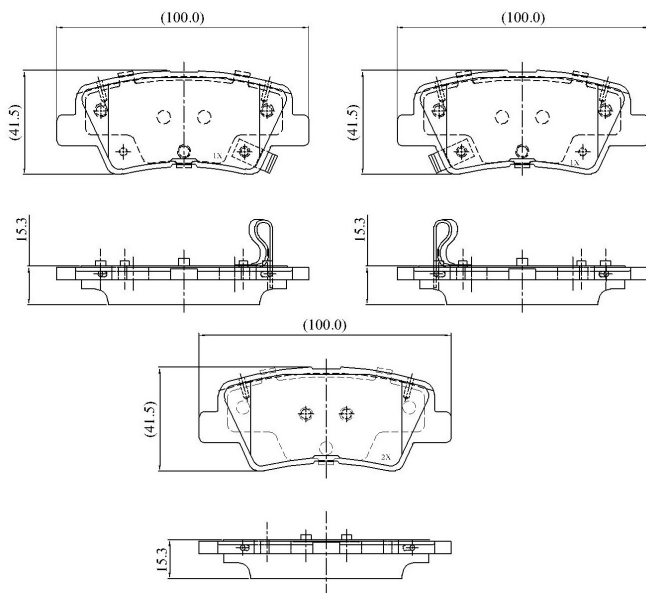
**Make: HYUNDAI**

**Model: ACCENT IV**

**Part Number: ADB32161**

**Vehicle Manufacturing/Engine:**

ADB32161



## Specifications

**Fitting Position** : Rear

<b>Model Date</b>	:	11/10-
<b>Or. Caliper</b>	:	Akebono
<b>WVA</b>	:	2,49,34,24,93,52,49,36,00,00,00,00,00,00,000
<b>FMSI</b>	:	
<b>Length</b>	:	99.8
<b>Width</b>	:	41
<b>Thickness</b>	:	15.3