

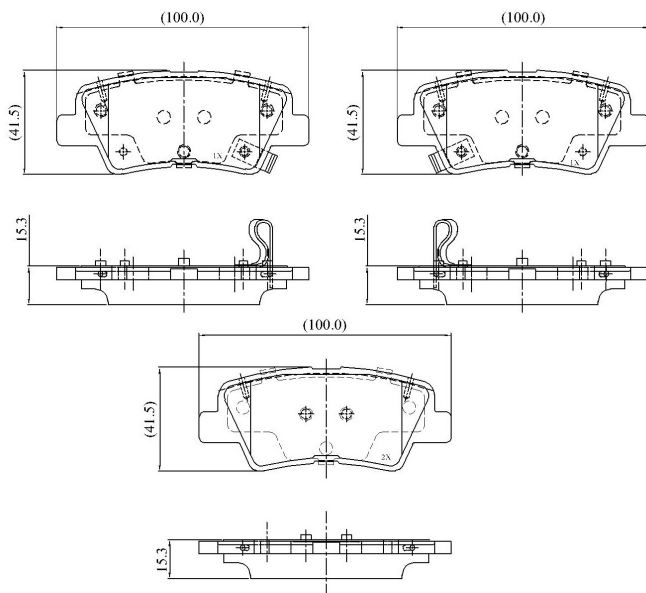
**Make: HYUNDAI**

**Model: ACCENT IV**

**Part Number: ADB32161**

**Vehicle Manufacturing/Engine:**

ADB32161



## Specifications

**Fitting Position** : Rear

|                    |   |  |
|--------------------|---|--|
| <b>Model Date</b>  | : | 07/11-                                       |
| <b>Or. Caliper</b> | : | Akebono                                      |
| <b>WVA</b>         | : | 2,49,34,24,93,52,49,36,00,00,00,00,00,00,000 |
| <b>FMSI</b>        | : |  |
| <b>Length</b>      | : | 99.8   |
| <b>Width</b>       | : | 41   |
| <b>Thickness</b>   | : | 15.3   |