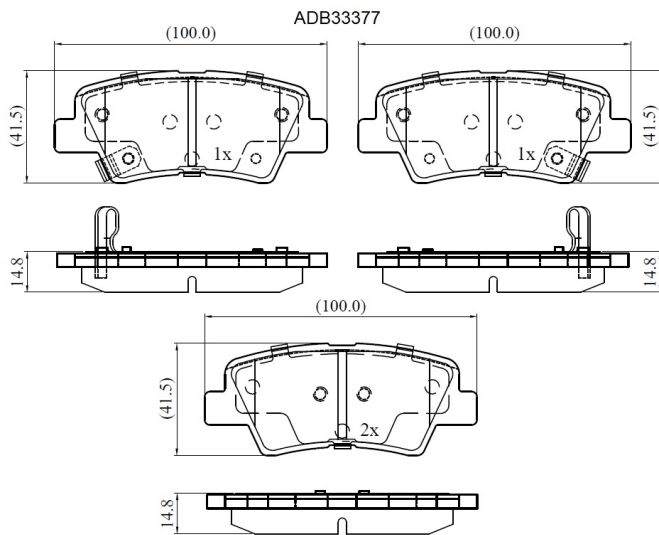


**Make: HYUNDAI**

**Model: Accent**

**Part Number: ADB33377**

**Vehicle Manufacturing/Engine:**



## Specifications

<b>Fitting Position</b>	:	Rear
<b>Model Date</b>	:	Dec-13
<b>Or. Caliper</b>	:	

<b>WVA</b>	:	
<b>FMSI</b>	:	D1313
<b>Length</b>	:	100
<b>Width</b>	:	41.5
<b>Thickness</b>	:	14.8