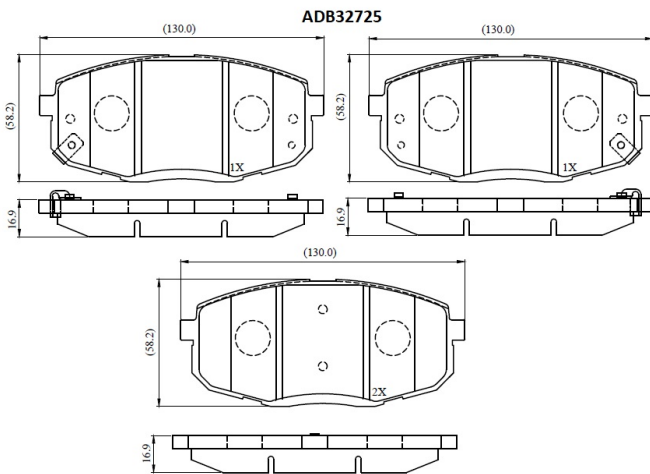


**Make: HYUNDAI**

**Model: Elantra Touring**

**Part Number: ADB32725**

**Vehicle Manufacturing/Engine:**



### Specifications

<b>Fitting Position</b>	:	Front
<b>Model Date</b>	:	09-Nov
<b>Or. Caliper</b>	:	
<b>WVA</b>	:	

<b>FMSI</b>	:	8505-D1397
<b>Length</b>	:	130
<b>Width</b>	:	58.2
<b>Thickness</b>	:	16.9